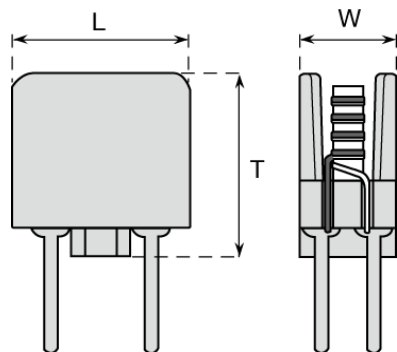


Leaded Common Mode Choke Coils for DC and Signal lines

CM05RB01



■ Features

- Item Summary
2A, Leaded
- Lifecycle Stage
- Standard packaging quantity (minimum)
Bulk 1000pcs

■ Products characteristics table

External Dimensions	9.5(max) × 10(max)mm
Impedance	700Ω
Impedance Measuring Frequency	70MHz
Inductance	7.0μH(- to -)
Inductance Measuring Frequency	1kHz
DC Resistance (max)	0.05Ω
Rated Current	2A
Resistance	100MΩ min.
RoHS Compliance	Yes
Soldering Method	Wave

■ External Dimensions

L	9.5mm max
W	10mm max
T	5.5mm max

2015.06.01

The data is reference only. Electrical characteristics vary depending on environment or measurement condition.
 TAIYO YUDEN reserves the right to make change to the Date at any time without notice.
 Before making final selection, please check product specification.